

# WICO®

6400 W. GROSS POINT ROAD • NILES, ILLINOIS 60648

## INSTALLATION INSTRUCTIONS

### REPLACEMENT KIT FOR WICO 2-WAY, 4-WAY & 8-WAY HEAVY DUTY JOYSTICK ASSEMBLIES WICO NO. 15-9653

This kit consists of the following:

QTY	WICO NO.	DESCRIPTION
1	15-9468	Ball Handle
1	15-9471	2" Washer
1	15-9473	Spring
1	15-9470	Switch Actuator (.600" dia. for 2-Way & 8-Way Joystick)
1	15-9478	Switch Actuator (.500" dia. for 4-Way Joystick)
1	30-0933	1/4" E Ring

#### NOTES:

1. Refer to FIG. 1 before starting installation.
2. For normal replacement of Ball Handle, Spring and/or Switch Actuator, disregard Steps 3, 4 and 5 below.

#### INSTALLATION INSTRUCTIONS

1. From inside of game, remove E-Ring from Ball Handle Shaft.
2. Pull Ball Handle out of Joystick Assembly and remove Switch Actuator and Spring from inside of game.
3. Remove Joystick Assembly from Control Panel of game.
4. Replace 2" washer.
5. Fasten Joystick Assembly to Control Panel of game.
6. Insert new Ball Handle thru Control Panel and Joystick Assembly.
7. From inside of game, push Spring and appropriate Switch Actuator over end of Ball Handle Shaft and secure with E-Ring.

#### INSTRUCTIONS FOR SWITCH REMOVAL ON WICO JOYSTICKS

For Joysticks using SNAP-IN Switches

See caution below before starting this procedure.

1. With Joystick in position as shown in Figure 1, press down on blades and lift up on solder tabs to raise switch body above locking tab.
2. While holding tabs, pull switch horizontally out of switch holder as shown in Figure 2.
3. To replace switch, repeat steps 1 & 2 in reverse order. DO NOT spread the sides of the switch holder. This will reduce the tension on the switch and will cause improper switch location.

**CAUTION:** Wear protective hand or finger gloves when handling blades and/or tabs.

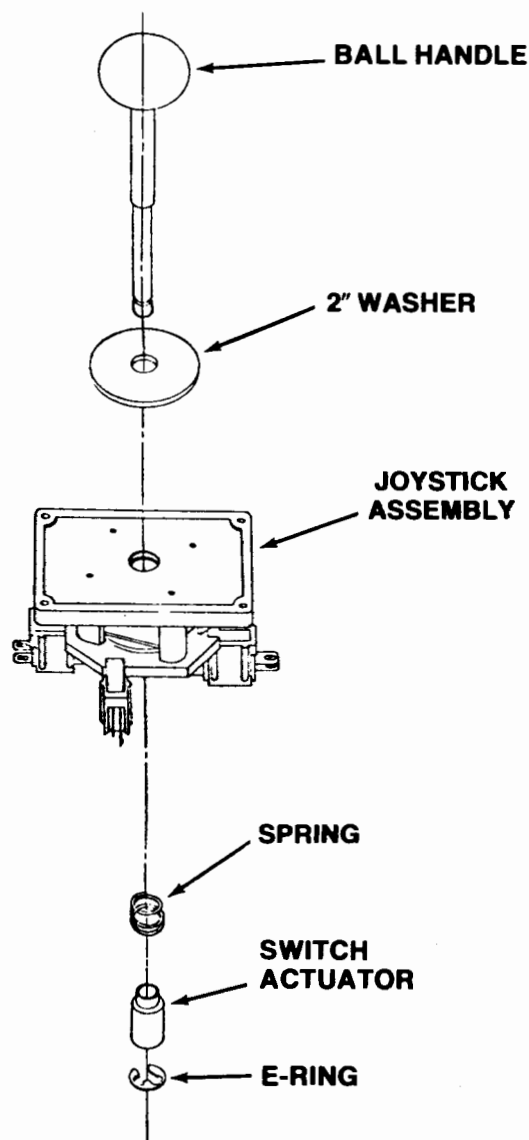


FIGURE 1